



**UT-511616EP**

**16** ,

**16 PNP I/O**



V01	2026/01/04			



1.

UT-511616E	2. 1EtherCAT
I/O	16

EtherCAT( )  
 EtherCAT CAT Control Automation  
 Technology( )  
 (Beckhoff Automation GmbH) EtherCAT

2.

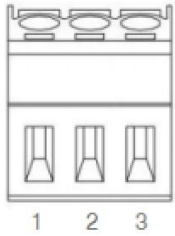
16	PNP	24
16	, PNP NPN	
16		



3.

	24 22 28
	.50 A@24
	1 ( / / )
	/ 0.75 (A 18)
	35
	120*15*75
	80
	-40 85
	5%-95%
	20
	16
	16
	9 24
	0 3
	3 A @24
	>6.5
	5 3
	10
	500
	16
	16
	500 A
	1 A
	1.2
	开: 15us 关: 9us
	160
	3A
	A
	A
	1024 1024
	2 45
	10/100
	100

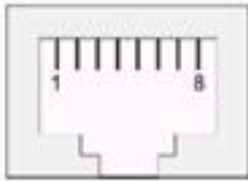
4.



5. 08		
1	G	
2	V-	
3	V+	
	----	

RJ45

带屏蔽RJ45针脚



	EI A/TI A 568B		
1		TX+	
2		TX-	
3		RX+	
4		Data+	+
5		Data-	-
6		RX-	
7		Data+	+
8		Data-	-

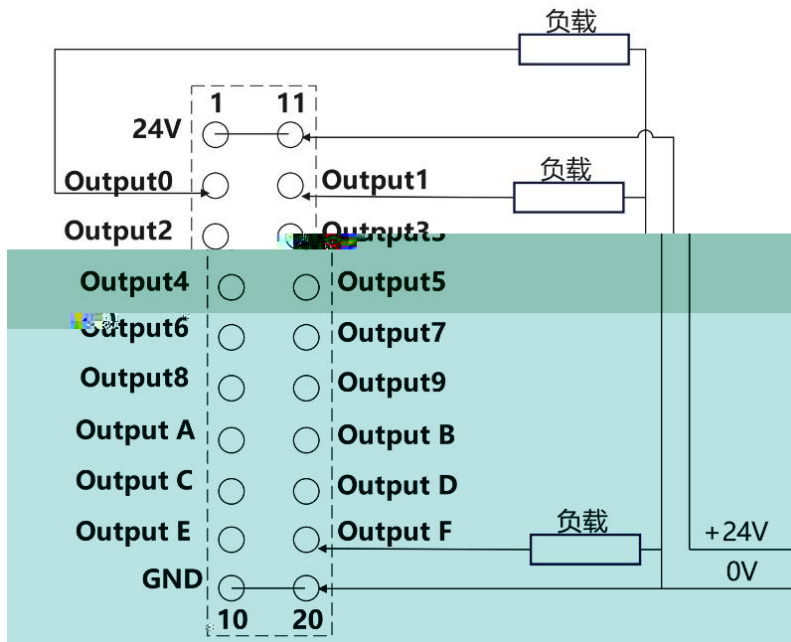
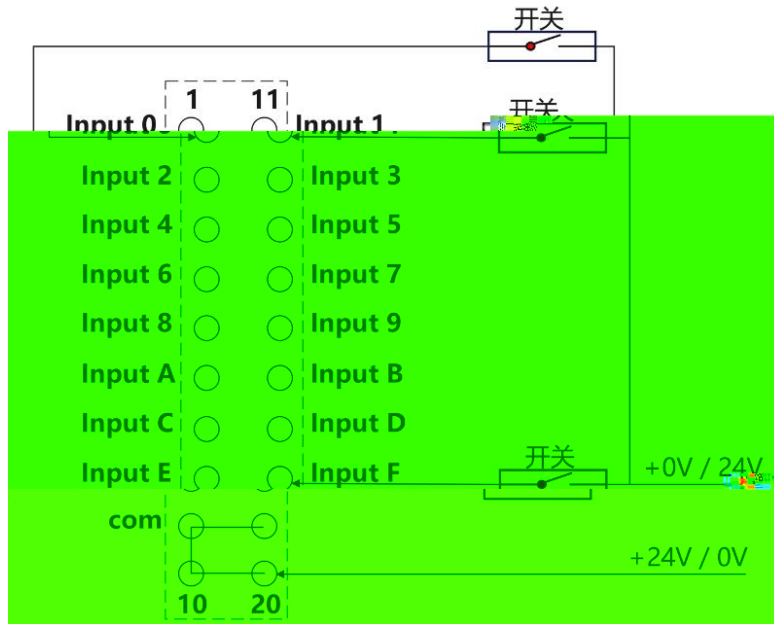
20PIN

20					
Channel 0	0			1	Channel 1
Channel 2	2			3	Channel 3
Channel 4	4			5	Channel 5
Channel 6	6			7	Channel 7
Channel 8	8			9	Channel 9
Channel A	A			B	Channel B
Channel C	C			D	Channel D
Channel E	E			F	Channel F



	VCC NPN GND PNP	COM		COM	VCC NPN GND PNP
	VCC NPN GND PNP	COM		COM	VCC NPN GND PNP
		VCC		VCC	
Channel 0		0		1	Channel 1
Channel 2		2		3	Channel 3
Channel 4		4		5	Channel 5
Channel 6		6		7	Channel 7
Channel 8		8		9	Channel 9
Channel A		A		B	Channel B
Channel C		C		D	Channel D
Channel E		E		F	Channel F
		GND		GND	

5.



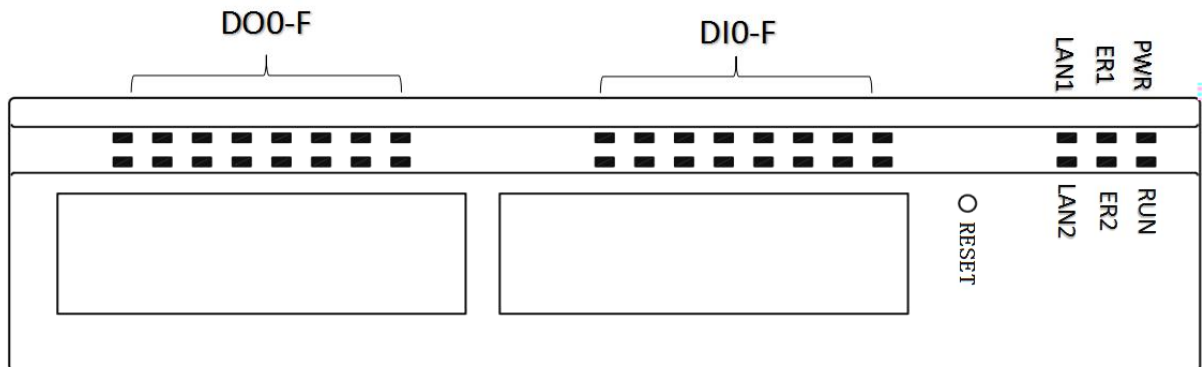
输出高电平，负载共阴极（共 0V）



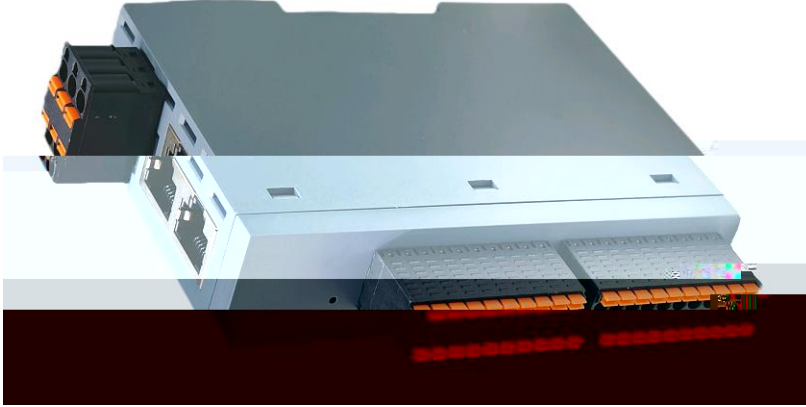
6. LED

( )	
1S	
( )	
	INT
	B A
	A -
	-
( )	
	PDI
	EEPROM
A	

7.



8.



9.

